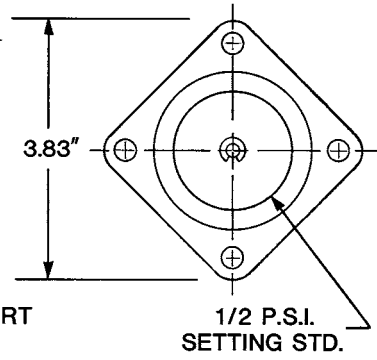
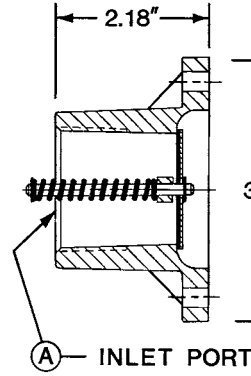
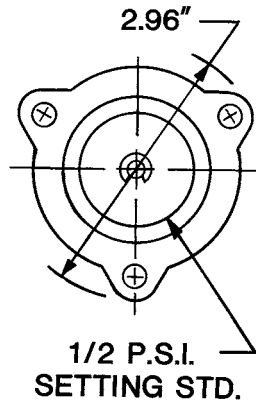
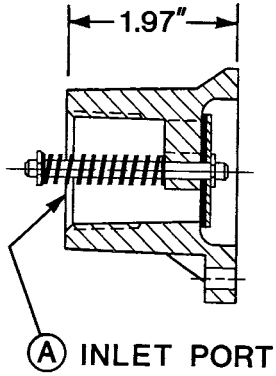


RV SERIES RETURN LINE TANK MOUNTED CHECK VALVES

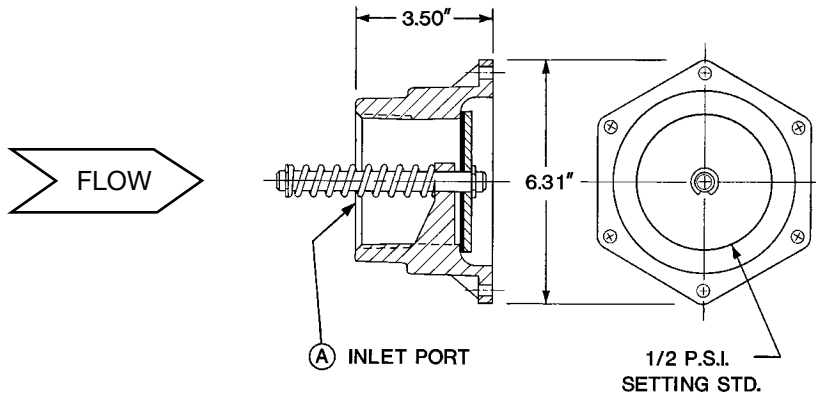


Maximum Operating Pressure: 50 PSI
Standard Valve Setting: 1/2 PSI



Part Numbers
RV-07-1-01 & RV-10-1-01

Part Numbers
RV-12-1-01 & RV-15-1-01



Part Number RV-30-1-01

Part Number	A Inlet Port
RV07101	3/4" NPTF
RV10101	1" NPTF
RV12101	1 1/4" NPTF
RV15101	1 1/2" NPTF
RV30101	3" NPTF

NOTE: Buna-N seals standard, Fluorocarbon seals optional

Consult Manufacturer for Ordering Information