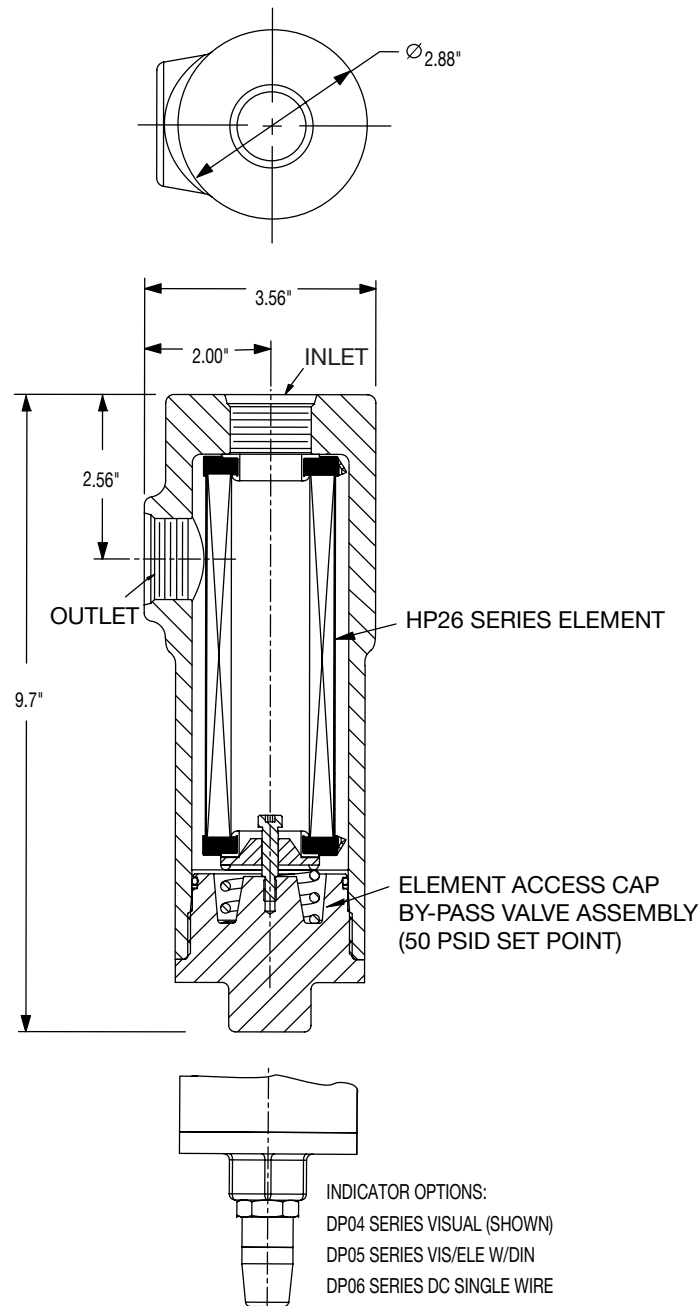




HP3000 SERIES IN-LINE PRESSURE FILTERS WITH ΔP INDICATOR OPTION

Flows Up To: 60 GPM
 Ports Sizes: 1" NPTF
 1 1/16"-12 UN (SAE - 12)
 1 5/16"-12 UN (SAE - 16)
 Pressure: 3,000 PSI Max. Operating
 Application: Inline Filtration,
 90° Design Permits Element
 Replacement without Breaking Line.



INDICATOR OPTIONS:
 DP04 SERIES VISUAL (SHOWN)
 DP05 SERIES VIS/ELE W/DIN
 DP06 SERIES DC SINGLE WIRE

SPECIFICATIONS

Code Number	Removal Rating	
03Z (Z-Glass)	$B_{<4\mu(c)} = 200$	$B_{7\mu(c)} = 1000$
10Z (Z-Glass)	$B_{10\mu(c)} = 200$	$B_{12\mu(c)} = 1000$
003 (Cellulose)	$B_{<4\mu(c)} = 2$	
010 (Cellulose)	$B_{5\mu(c)} = 2$	
025 (Cellulose)	$B_{19\mu(c)} = 2$	

REFERENCE

$B_{x\mu(c)}$ Rating of 1000 = 99.9% Efficiency
 $B_{x\mu(c)}$ Rating of 200 = 99.5% Efficiency
 $B_{x\mu(c)}$ Rating of 2 = 50.0% Efficiency

PRESSURE RATING

Maximum Operating: 3,000 PSI (207 Bar)
Burst Pressure: 15,000 PSI (1034 Bar)
Rated Fatigue Pressure:
 0-3000-0 PSI for 1,000,000 Cycles

TEMPERATURE RANGE

Operating: -40°F to +250°F
 (-40°C to +120°C)

BY-PASS SETTING:

50 PSID

ΔP INDICATOR OPTIONS

Visual, Single-Wire DC Electrical, or
 Electrical/Visual w/ DIN Connector

FLUID COMPATIBILITY

Elements: Suitable For Use with
 Petroleum-Base Fluids. Consult
 Factory For Use With Other Fluids.

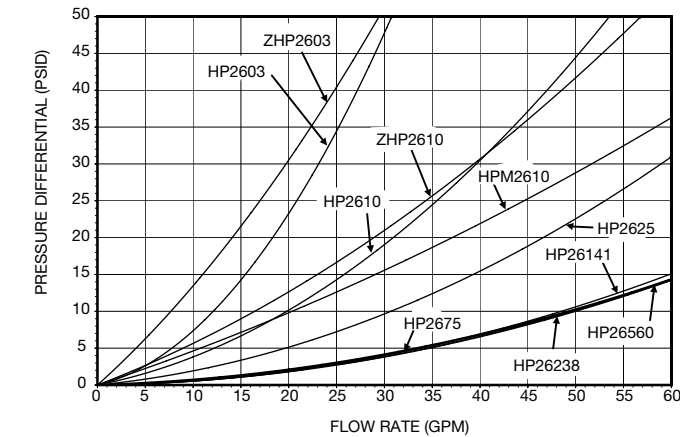
MATERIALS

Housing: Ductile Iron
By-Pass: Steel
Element Hardware: Plated Carbon
 Steel Endcaps and Core.
 Epoxy Endcap Adhesive.
Filter Media: Z-Glass Fiber, Cellulose
 Stainless Steel Mesh

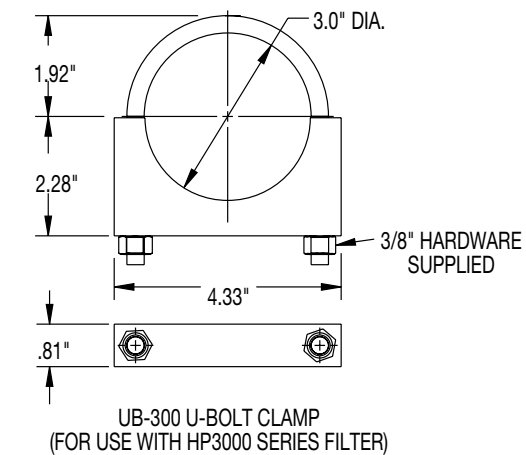
WEIGHT

4.2 lbs. (2.2 Kg)

Average pressure drop through clean filter with 150 SUS oil at 105° F.



ACCESSORIES:



Consult Manufacturer for Ordering Information

Phone 608.524.4200 Fax 608.524.4220 www.filtrationgroup.com E 17



Consult Manufacturer for Ordering Information

Phone 608.524.4200 Fax 608.524.4220 www.filtrationgroup.com E 17