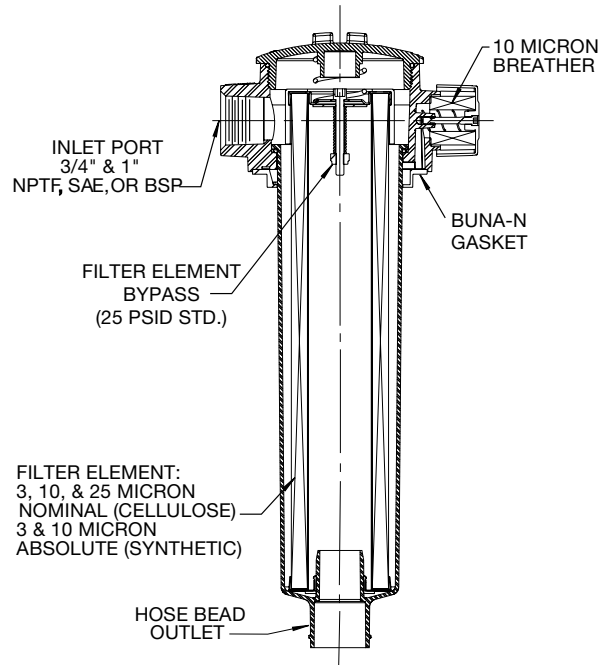
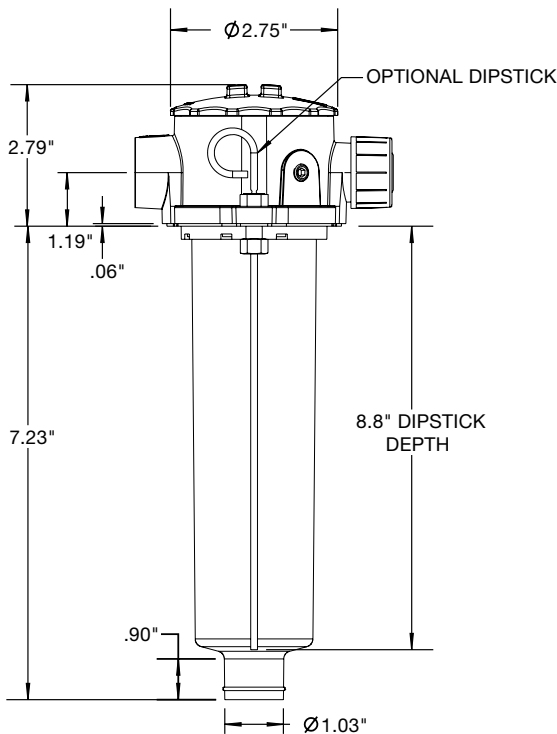
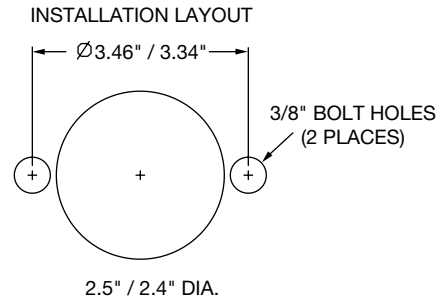
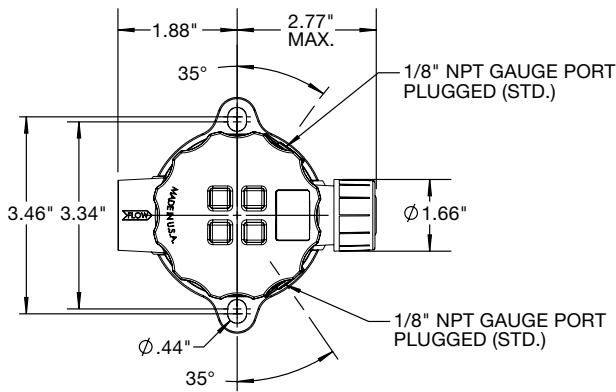




SLF1 SERIES TANK-TOP FILTERS (WITH INTEGRAL TANK BREATHER)

- Flows Up To: 25 GPM (Return)
- Port Sizes: 1/2" & 3/4" NPTF, SAE & BSP
- Pressure: 100 PSI Max. Operating Pressure
300 PSI Burst
- Temperature: -15 to +230°F Operating
- Head: Die-Cast Aluminum Alloy
- Bowl / Cover: Nylon
- Breather: 10-Micron (Foam) Standard
- Applications: Petroleum-based fluids only
Consult factory for synthetic fluids



Consult Manufacturer for Ordering Information