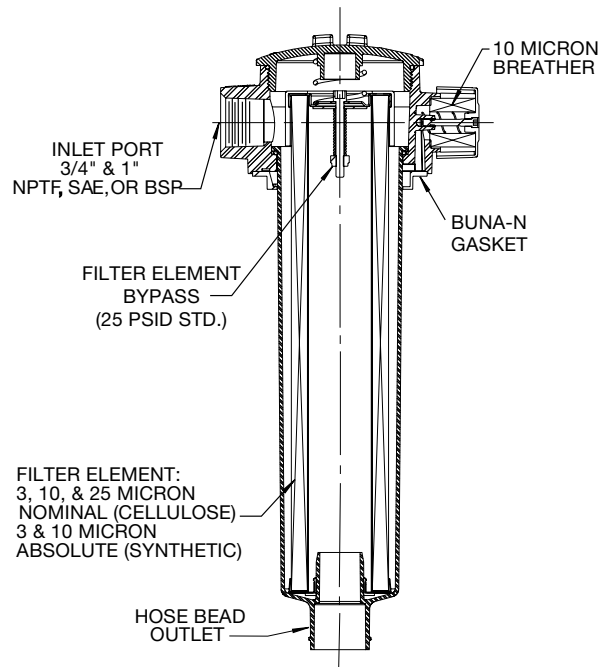
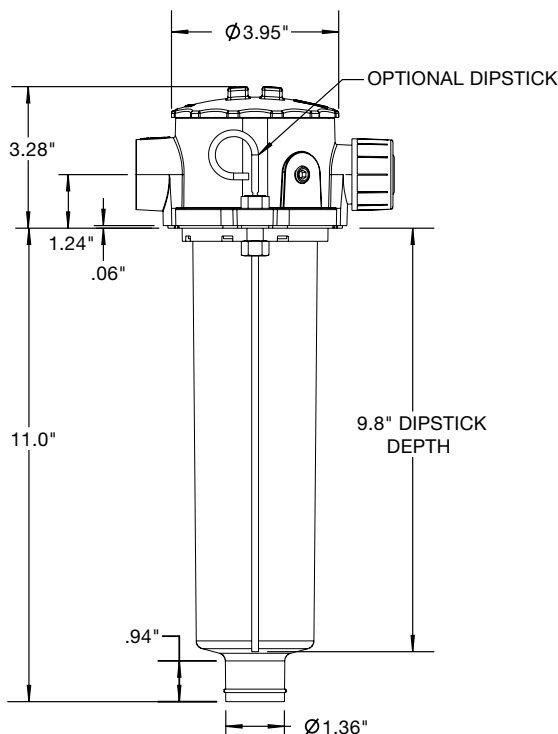
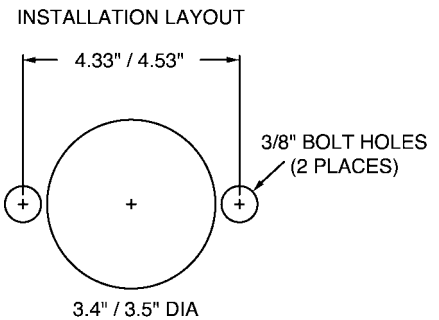
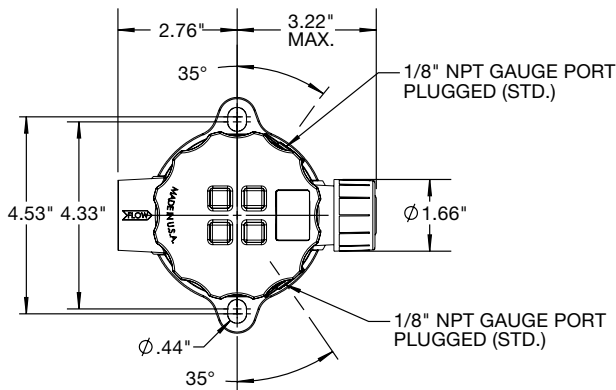




# SLF2 SERIES TANK-TOP FILTERS (WITH INTEGRAL TANK BREATHER)

Flows Up To:	40 GPM (Return)
Port Sizes:	3/4" & 1" NPTF, SAE & BSP
Pressure:	100 PSI Max. Operating Pressure 300 PSI Burst
Temperature:	-15 to +230°F Operating
Head:	Die-Cast Aluminum Alloy
Bowl / Cover:	Nylon
Breather:	10-Micron (Foam) Standard
Applications:	Petroleum-based fluids only Consult factory for synthetic fluids



Consult Manufacturer for Ordering Information