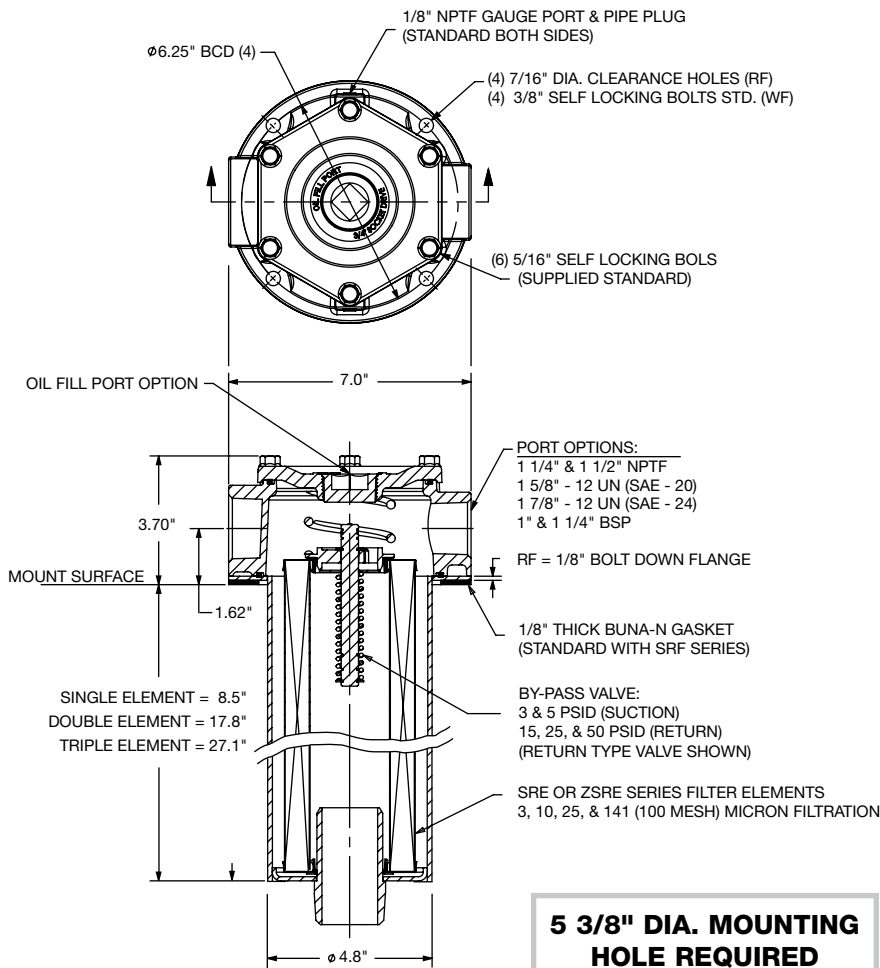


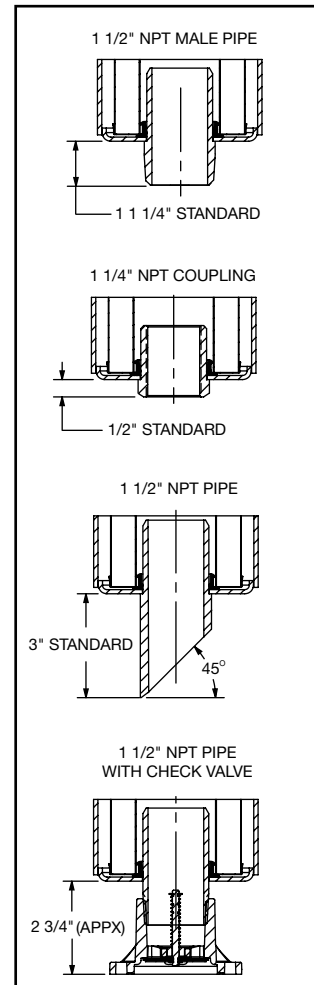


SRF SERIES SUCTION / RETURN LINE TANK-TOP FILTERS

Flows Up To: 83 GPM (Return) 28 GPM (Suction)
 Port Sizes: 1 1/4" & 1 1/2" NPTF
 1 5/8" - 12 UN (SAE - 20)
 1 7/8" - 12 UN (SAE - 24)
 1" & 1 1/4" BSP
 Pressure: 100 PSI Max Operating
 Temperature: Up to 250°F Operating
 Application: Petroleum-based fluids
 Consult factory for synthetic fluids



BOTTOM PORT OPTIONS:

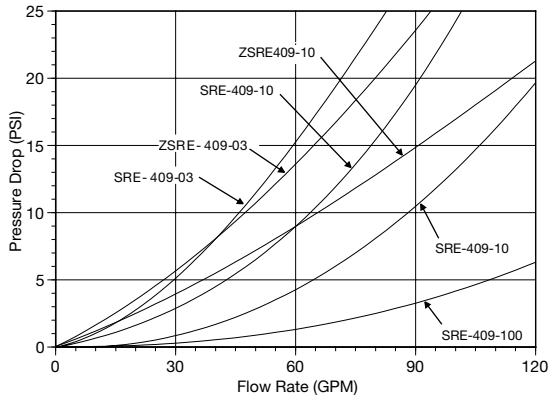


Design Features:

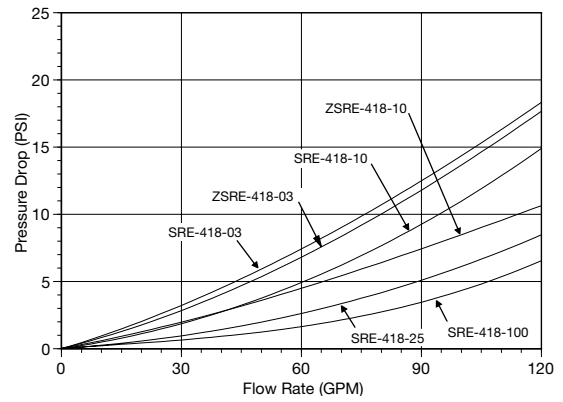
- Radial seal grommet used in SRE Series filter elements.
- Filter housing mounting bolt pattern matches Zinga RF, TR, and TS series as well as Schroeder ST, RT, and LRT series housings.
- SRF series housings are fully compatible with Schroeder K series elements.

Consult Manufacturer for Ordering Information

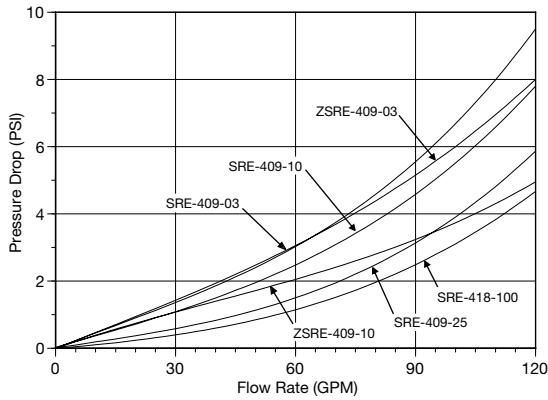
Average Pressure Drop Through Clean Filter Assembly With 150 SUS Oil At 105° F



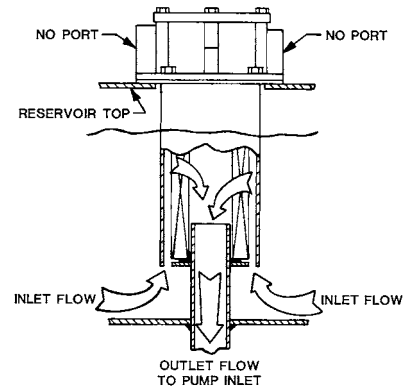
Single Length Element



Double Length Element



Triple Length Element



Application: Bottom Flow Filter

Additional SRE Element Data: See Page 45

Consult Manufacturer for Ordering Information